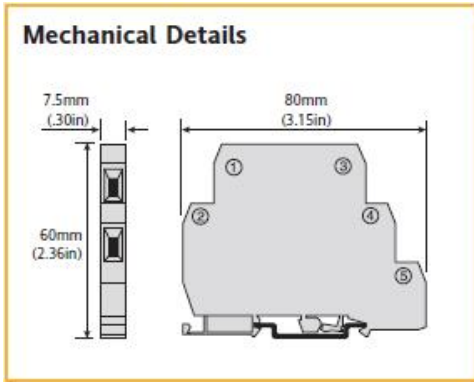


DIN Rail Mounted Mini Input/Output Modules – IO Series

The IO Series Of Mini Input/Output Modules Provide A High Density, DIN Rail Mountable Device For Low Power Heating Loads Or Conversion Of Ac Or Dc Control Logic Levels To A Low Level Dc Signal.



IDEAL FOR:

- Industrial and commercial ovens
- Injection molding machines
- Induction Furnaces
- Solenoid/Valve Drivers
- Semiconductor manufacturing equipment
- Food processing
- Motor Controls
- ATM Machines
- Battery Chargers
- Mercury Relay Replacements

FEATURES:

- 3 amps 12–280V ac
- High density design
- AC and DC inputs
- AC and DC outputs
- Positive and negative logic
- Single phase zero crossing
- LED logic indicator
- Output modules internally fused
- Optically isolated
- 4000 VRMS isolation on all model number:
- CE compliant
- UL recognized
- CSA certified

Specifications

Input Modules

	IO-IAC/-RO/280	IO-IAC/+RO/280
YELLOW CASE		
Output Voltage Range:	4–28V dc	4–28V dc
Max Load Current:	100mA	100mA
Turn On Time:	20ms max	20ms max
Turn Off Time:	20ms max	20ms max
Input Voltage:	90–280V ac	90–280V ac
Logic Type:	Negative	Positive